

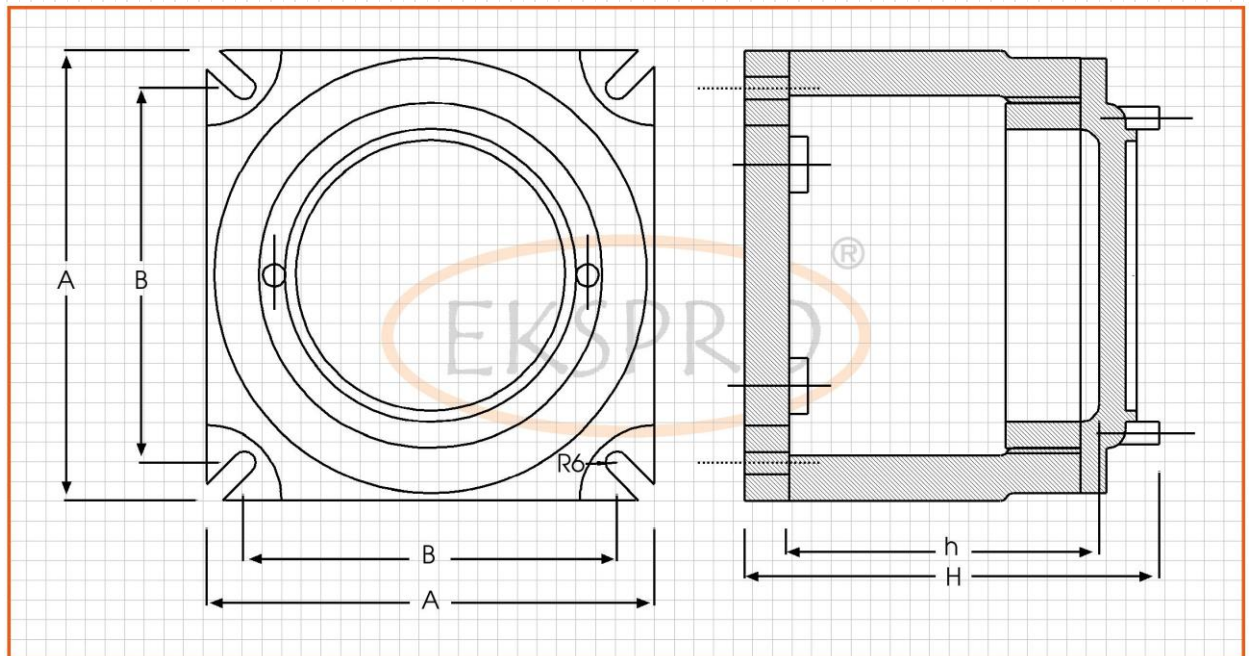


Ex-proof's our business

GUB SERIES EXPLOSION-PROOF INSTRUMENT AND JUNCTION BOXES

Certificate : INSEMEX-OEC.ATEX.2013.3.0014X

CE 1809  II 2 G Ex d II C T6 / T5



Catalogue No.	A	B	H	h
GUB-0	123	102	118	78
GUB-2	190	193	146	108
GUB-3	233	233	163	127
GUB-4	388	367	294	258



Ex-proof's our business

GUB SERIES EXPLOSION-PROOF INSTRUMENT AND JUNCTION BOXES

Certificate : INSEMEX-OEC.ATEX.2013.3.0014X

CE 1809  II 2 G Ex d II C T6 / T5

APPLICATIONS

GUB Series Enclosures and pulling boxes are designed for indoor and outdoor use in potentially hazardous atmospheres containing combustible gases, vapour and dust.

These enclosure and pulling boxes are used in Group I and Group II and following zones: zone1, zone2, zone21 and zone22

As an example to those kind of industries are following:

- Chemical and petrochemical industries
- Pharmaceutical industries
- Oil and gas industries

APPLICABLE STANDARTS

EN 60079-0 ,EN 60079-1 (EEx d II C T6)

MATERIAL

Aluminium – Etial 171
Copper Content < 0.01 %
Device Colour: RAL7040

THREAD SIZE and TYPE

Tapered pipe thread ISO 7-1
NPT pipe thread ANSI B1.20.1

PROTECTION TYPE

IP55

Options

IP65