



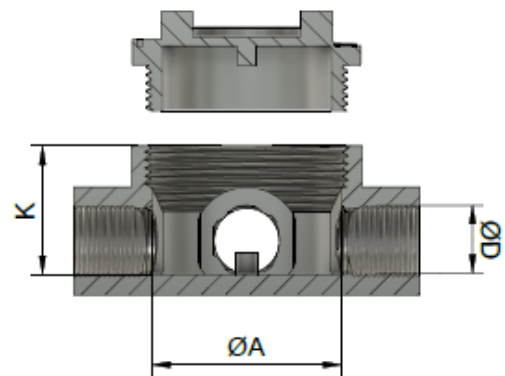
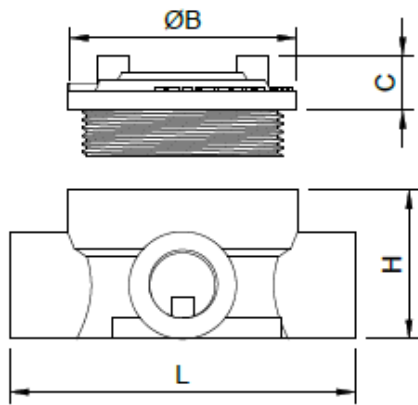
Ex-proof's our business

## GUA SERIES EXPLOSION-PROOF JUNCTION BOXES

Certificate : INSEMEX-OEC.ATEX.18.0330X

CE  II 2 G Ex d II C T6/T5 Gb

CE  II 2 D Ex tb III C T80°C/T95°C Db



Catalog Code	ØD	Internal Diameter ØA (mm)	Internal Height K (mm)	External Height H (mm)	With L (mm)	C	ØB
GUA-1	1/2" or 3/4"	72	50	57	124	20	86
GUA-3	1"	98	60	67	165	27	116
GUA-4	1 1/4" or 1 1/2"	127	90	101	206	33	147



Ex-proof's our business

## GUA SERIES EXPLOSION-PROOF JUNCTION BOXES

Certificate : INSEMEX-OEC.ATEX.18.0330X

CE  II 2 G Ex d II C T6/T5 Gb

CE  II 2 D Ex tb III C T80°C/T95°C Db

### APPLICATIONS

GUA Series Enclosures and pulling boxes are designed for indoor and outdoor use in potentially hazardous atmospheres containing combustible gases, vapour and dust.

The apparatus marking is completed by using the codes "e", "m", "(ia)", "(ib)", as applicable, depending on the built in apparatus and components.

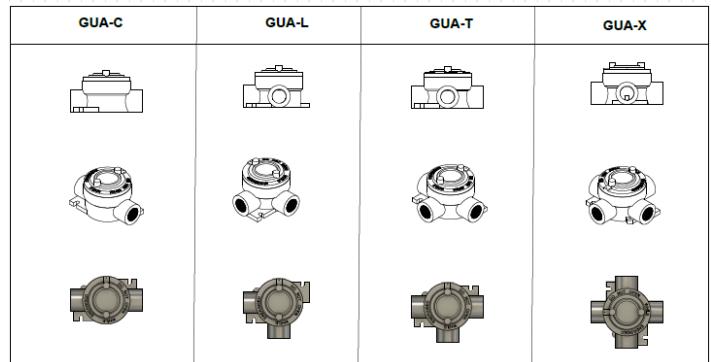
These enclosure and pulling boxes are used in following zones: zone1, zone2, zone21 and zone22

As an example to those kind of industries are following:

- Chemical and petrochemical industries
- Pharmaceutical industries
- Oil and gas industries

### APPLICABLE STANDARTS

EN 60079-0 ,EN 60079-1,  
EN 60079-31



### MATERIAL

Aluminium – Etial 171  
Copper Content < 0.01 %  
Device Colour: RAL7040

### THREAD SIZE and TYPE

Tapered pipe thread ISO 7-1  
NPT pipe thread ANSI B1.20.1

### MECHANICAL PROTECTION

IP66