

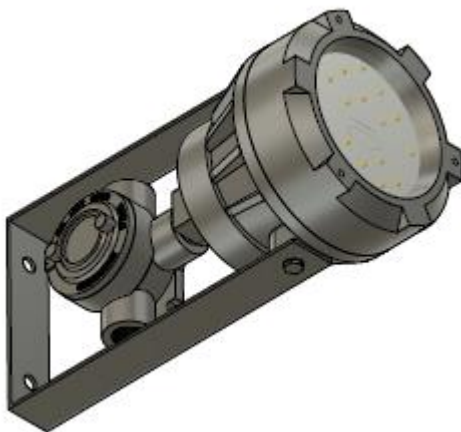
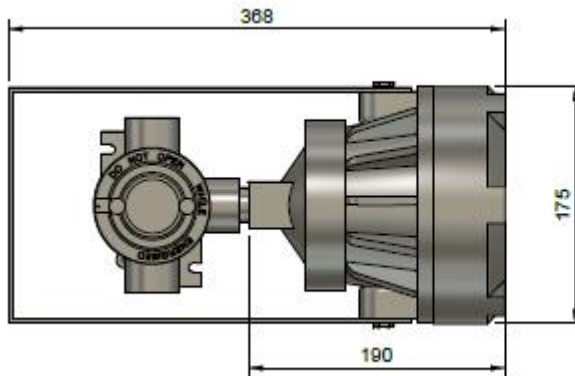


## EVL SERIES EX-PROOF LED LIGHTING FIXTURES

ATEX CERTIFICATE: INSEMEX-OEC.ATEX.18.0325X

CE  II 2 G Ex db II C T5/T4/T3 Gb

CE  II 2 D Ex tb III C T100°C/T135°C/T200°C Db



Catalog No.	Power (Watt)	Light Intensity (lumen)
EVL-50	38	3950
EVL-75	55	5600

### APPLICATIONS

EVL series led ex-proof lighting fixtures, Zone-1, Zone-21, Zone-2 and Zone-22 suitable for use in ex-proof environments. It can be manufactured with energy kit in accordance with the demand.

### MATERIAL

Body; aluminum casting (ETIAL 171)  
Glass; Heat treated borosilicate glass  
Colour: RAL 7040(grey)

### TECHNICAL SPECIFICATIONS

220 V, 50 Hz with energy input  
2x3/4" with hole  
Led driver and PCB including  
LM 79 Test report

### MECHANICAL PROTECTION TYPE

IP 66