

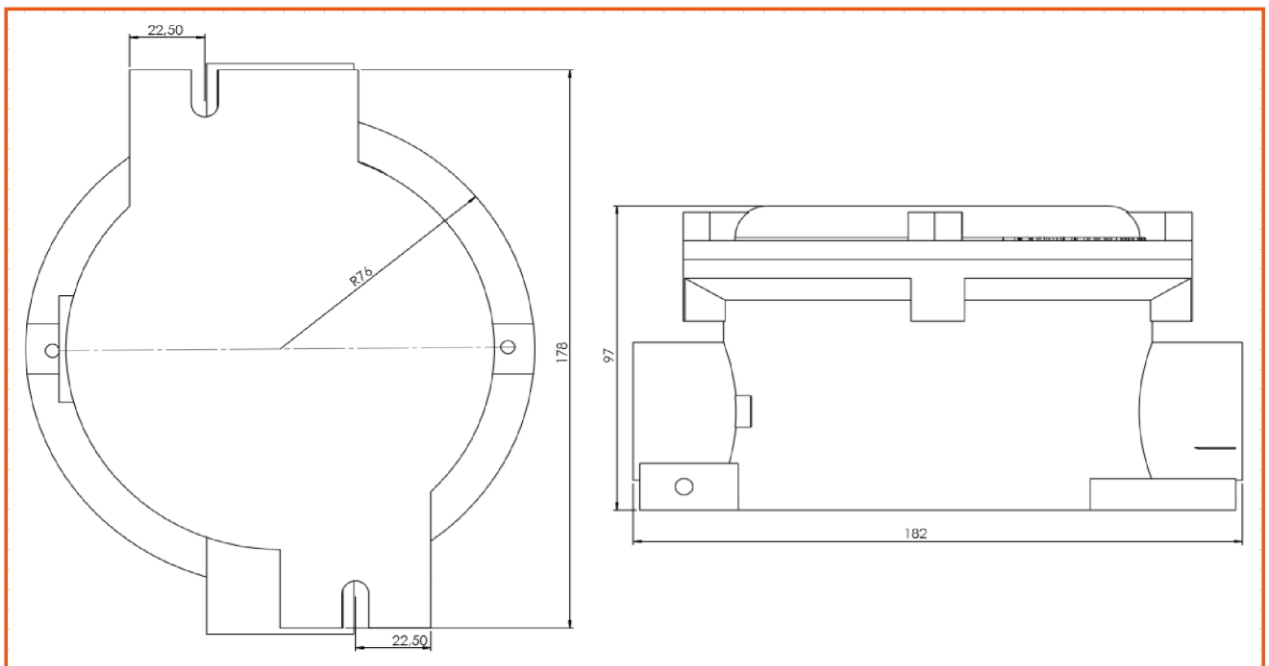


Ex-proof's our business

EFDS SERIES EXPLOSION-PROOF CONTROL BOXES

Certificate : INSEMEX-OEC.ATEX.2011.3.0009X

CE 1809  II 2 G Ex d IIC T6/T5/T4



APPLICATIONS

EFDS Series Explosion-proof switches are designed for indoor and outdoor use in potentially hazardous atmospheres containing combustible gases, vapour and dust.

These devices are used in following zones: zone1, zone2, zone21 and zone22

As an example to those kind of industries are following:

- Chemical and petrochemical industries
- Pharmaceutical industries
- Oil and gas industries



Ex-proof's our business

EFDS SERIES EXPLOSION-PROOF CONTROL BOXES

Certificate : INSEMEX-OEC.ATEX.2011.3.0009X

CE 1809  II 2 G Ex d IIC T6/T5/T4

APPLICABLE STANDARTS

EN 60079-0 ,EN 60079-1 (EEx d II C T6)

MATERIAL

Aluminium – Etial 171
Copper Content < 0.01 %
Device Colour: RAL7040

THREAD SIZE and TYPE

Tapered pipe thread ISO 7-1
NPT pipe thread ANSI B1.20.1

PROTECTION TYPE

IP66