

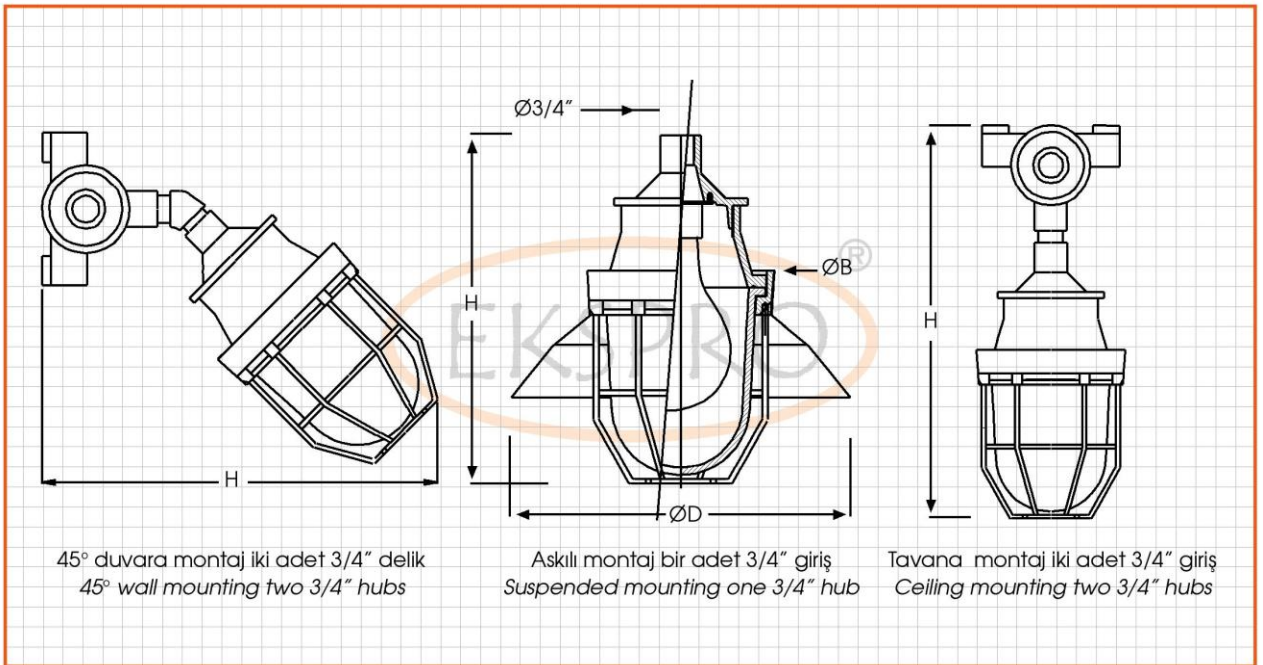


Ex-proof's our business

## EV SERIES EXPLOSION-PROOF LIGHTING FIXTURES

Certificate : INSEMEX-OEC.ATEX.2013.3.0003X

CE 1809  II 2 G Ex d IIC T5 / T4 / T3 Gb



Catalogue No.	H (mm)	ØB(mm)	ØD(mm)
EVA100	220	130	270
EVC100	355	130	270
EVT100	305	130	270

Catalogue No.	H (mm)	ØB(mm)	ØD(mm)
EVA200	300	180	270
EVC200	450	180	270
EVT200	358	180	270



Ex-proof's our business

## EV SERIES EXPLOSION-PROOF LIGHTING FIXTURES

Certificate : INSEMEX-OEC.ATEX.2013.3.0003X

CE 1809  II 2 G Ex d IIC T5 / T4 / T3 Gb

### APPLICATIONS

EV series lighting fixtures are used in places Which are hazardous due to the presence of Flammable vapours or gases or dampness or corrosion are present.

In petroluem refineries,chemical and petrochemical plants and other process industry facilities where similar hazard exist.

### APPLICABLE STANDARTS

IEC 60079-0 / IEC 60079-1 (Ex d II C T4/6 )

### MATERIAL

Aluminium – Etial 171

Copper Content < 0.01 %

Device Colour: RAL7040

### THREAD SIZE and TYPE

'3/4" Withworth pipe thread TS61

### OPTIIONS

Tapered thread ANSI B2 1NPT

ISO 7/1R

PG thread DIN 40430

### PROTECTION TYPE

IP66